

REMOTE → ISLANDS

Everest WNEV-27 CCP



STANDARD FEATURES

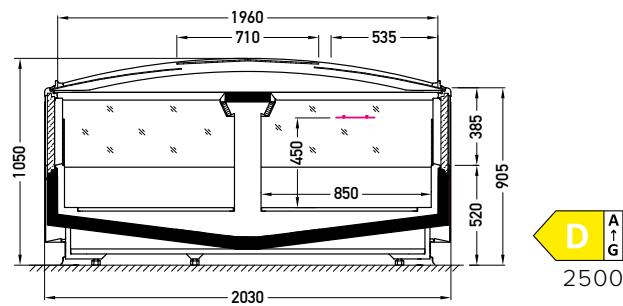
- double island (1 evaporator per module)
- working temperature: from -25°C to -21°C
- refrigerant: R744
- electrical defrosting
- 2 x NTC temperature probe
- siphoned condensate drains
- thermopane glass
- exposition: zinc-plated steel, powder coated in white (RAL 9003)
- color of the base – black (RAL 9005)
- WNEV-27-1895G sidewalls integrated

OPTIONS

- electronic expansion valve
- bumper
- sidewalls
- LEDit lighting

Everest WNEV-27 2500 CCP

CCP – cover | single, curved | sliding (slide-up/push)
XXX – no glazing



WNEV/WDEV-27 CCP

AVAILABLE MODULES

1875 2500 3750
1895G

JBG-2 Sp. z o.o. reserves the right to change the standards of devices or to withdraw products without prior notice.

Designation of the energy efficiency class is dedicated to a particular products, which are presented on each page of the catalogue. Indicated energy efficiency class depends on a module type, equipment, glazing version and type of a refrigerant. Amendment of each of the said parameters may cause amendment of the energy efficiency class. Contact the producer to acknowledge the energy efficiency class for the product with different parameters to those presented in the catalogue.