

Lhotse LDLH-37

GSL | GSD | BSA



STANDARD FEATURES

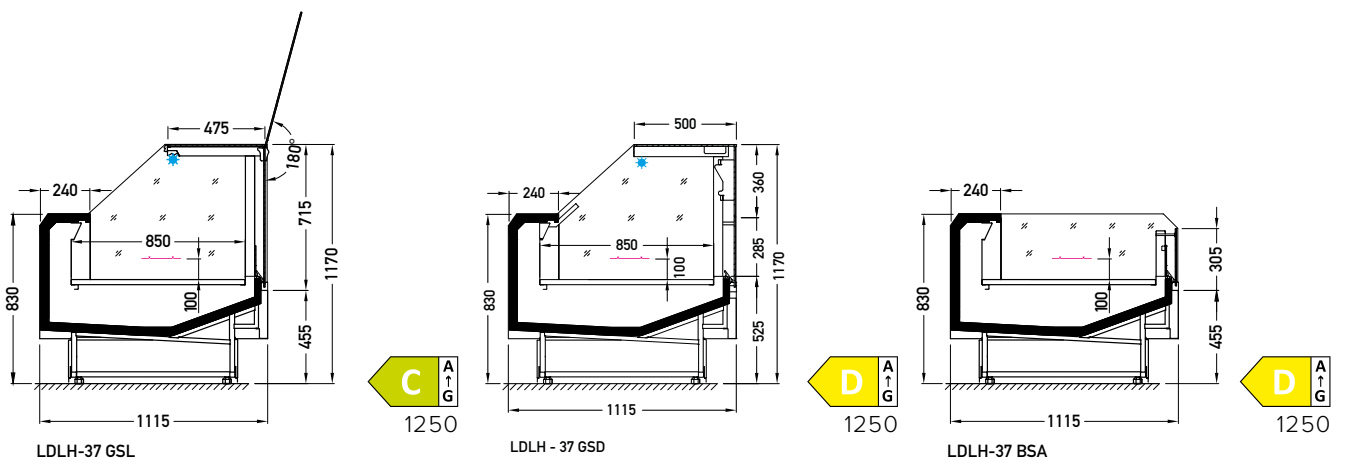
- working temperature – straight and corner NZC/NZS GSL from 0°C to 2°C; corner NZC/NZS BSA from 2°C to 4°C (with cascade from 0°C to 2°C); corner NWS from 4°C to 8°C
- refrigerant: R744
- electrical defrosting
- 2 x NTC temperature probe
- siphoned condensate drains
- exposition: zinc-plated steel, powder coated in white (RAL 9003)
- worktop: linen stainless steel
- exposition on a full base

OPTIONS

- electronic expansion valve
- LEDit lighting
- PVC floor profiles
- bumper
- sidewalls

BSA – low glass or front glass riser | single, straight | fixed
 GSD – glass | single, straight | divided
 GSL – glass | single, straight | lift up

Lhotse LDLH-37 2500 GSL



AVAILABLE MODULES

0938 1250 1875 2150 2500 3750
 NW45 NW90 NZC45 NZS45 NZS90