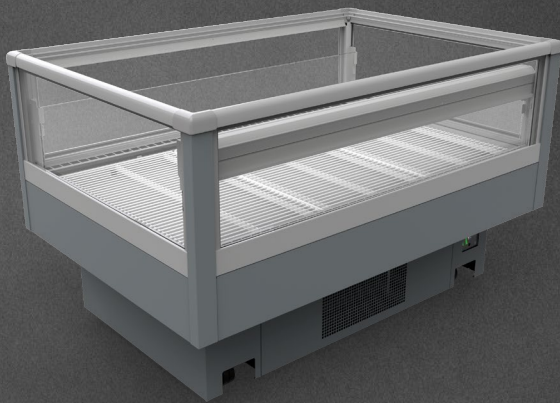




PLUG-IN → ISLANDS

Pamir WDPR-04 1530

CSS | XXX



Module:

1530



Refrigerant:

R290



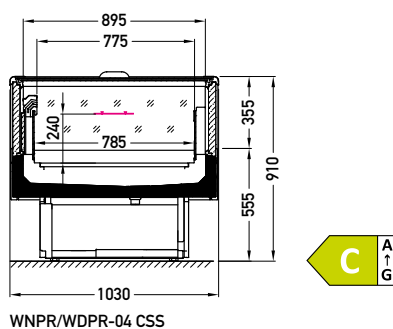
Available options:

- working temperature: from 0°C to 2°C
- hot gas defrosting for modules 1530/2530 CSS; electrical defrosting for modules 2030 CSS/ all XXX
- automatic evaporation of condensate
- electronic controller with temperature indicator
- **energy saving fans**
- exposition: zinc-plated steel, powder coated in white (RAL 9003)
- thermopane glass
- colour of the base black (RAL 9005)
- bumper (optionally)
- sidewalls integrated
- LEDit lighting (optionally)

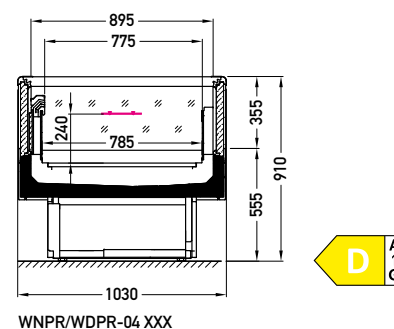
Pamir WDPR-04 1530 XXX



Cross sections:



WNP/WDPR-04 CSS



WNP/WDPR-04 XXX

CSS – cover | single, straight | sliding (sideways)
XXX – no glazing

Available modules: 1530 2030 2530