

Pamir WNPR-04

CSS | XXX



STANDARD FEATURES

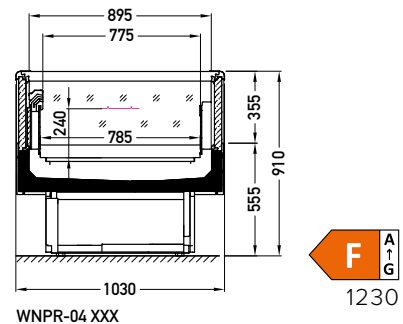
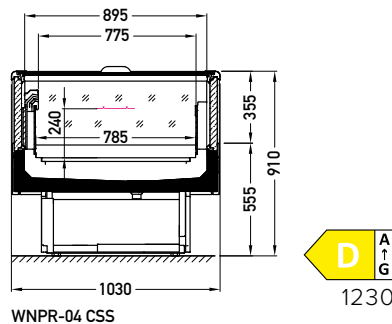
- working temperature: from -25°C to -21°C
- refrigerant: R290
- hot gas defrosting
- automatic evaporation of condensate
- electronic controller with temperature indicator
- exposition: zinc-plated steel, powder coated in white (RAL 9003)
- thermopane glass
- color of the base black (RAL 9005)
- sidewalls integrated

OPTIONS

- bumper
- LEDit lighting
- night cover for version XXX

Pamir WNPR-04 1530 CSS

CSS – cover | single, straight | sliding (sideways)
 XXX – no glazing



AVAILABLE MODULES

CSS	1230	1530	2030	2530
XXX	1230	1530	2030	